

MOUNTING INSTRUCTIONS

07013-05

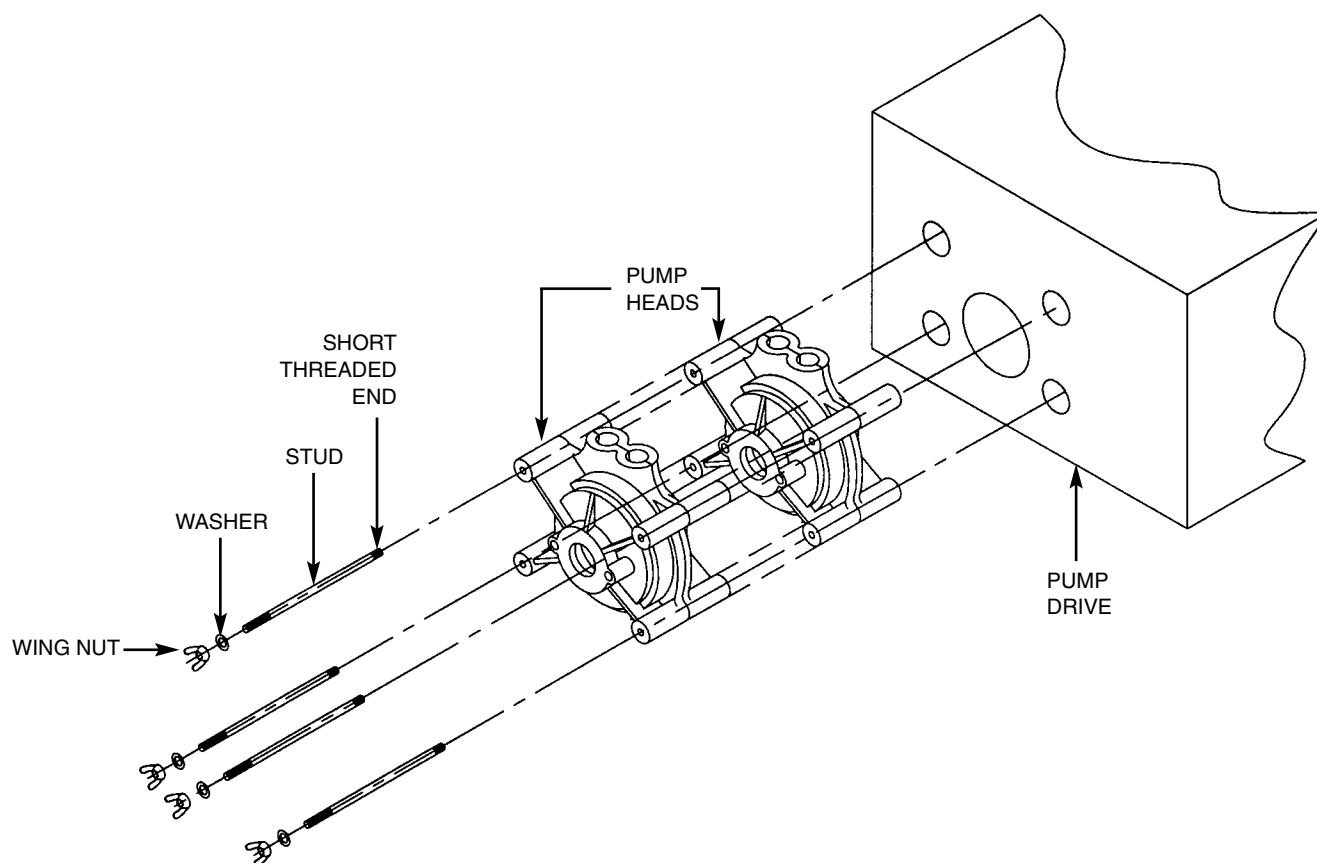
Mounting Instructions for two MASTERFLEX® L/S® STANDARD and L/S® EASY-LOAD® PUMP HEADS.

Use only MASTERFLEX precision tubing with MASTERFLEX Pumps to ensure optimum performance. Use of other tubing may void applicable warranties.

Mounting Kit Catalog No.	Number of Pump Heads	Description
07013-05	2	Stainless steel mounting hardware

Assembly Instructions:

- 1) Install studs into pump drive (short threaded end into drive).
- 2) Slide the pumps into place on the studs.
Note: Install tubing into MASTERFLEX® L/S® Standard Pumps (before mounting).
- 3) Install washers and wing nuts onto studs and hand-tighten.



Trademarks bearing the ® symbol in this publication are registered in the U.S. and in other countries.

Printed in U.S.A.
051201

A-1299-0556
Edition 05